

773/Pat-020

Date	Description
DSD-V1-ID-2/10/2024	- REV1
DSD-V1-ID-9/11/2024	- REV2
DSD-V1-ID-5/12/2024	- REV3
DSD-V1-ID-16/1/2025	- REV4

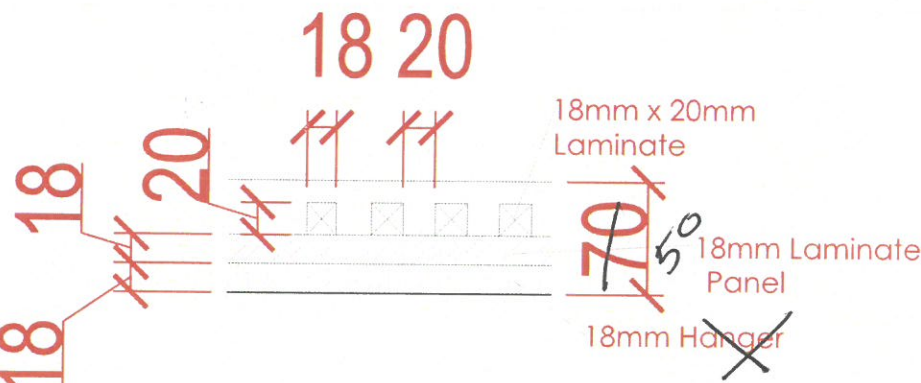
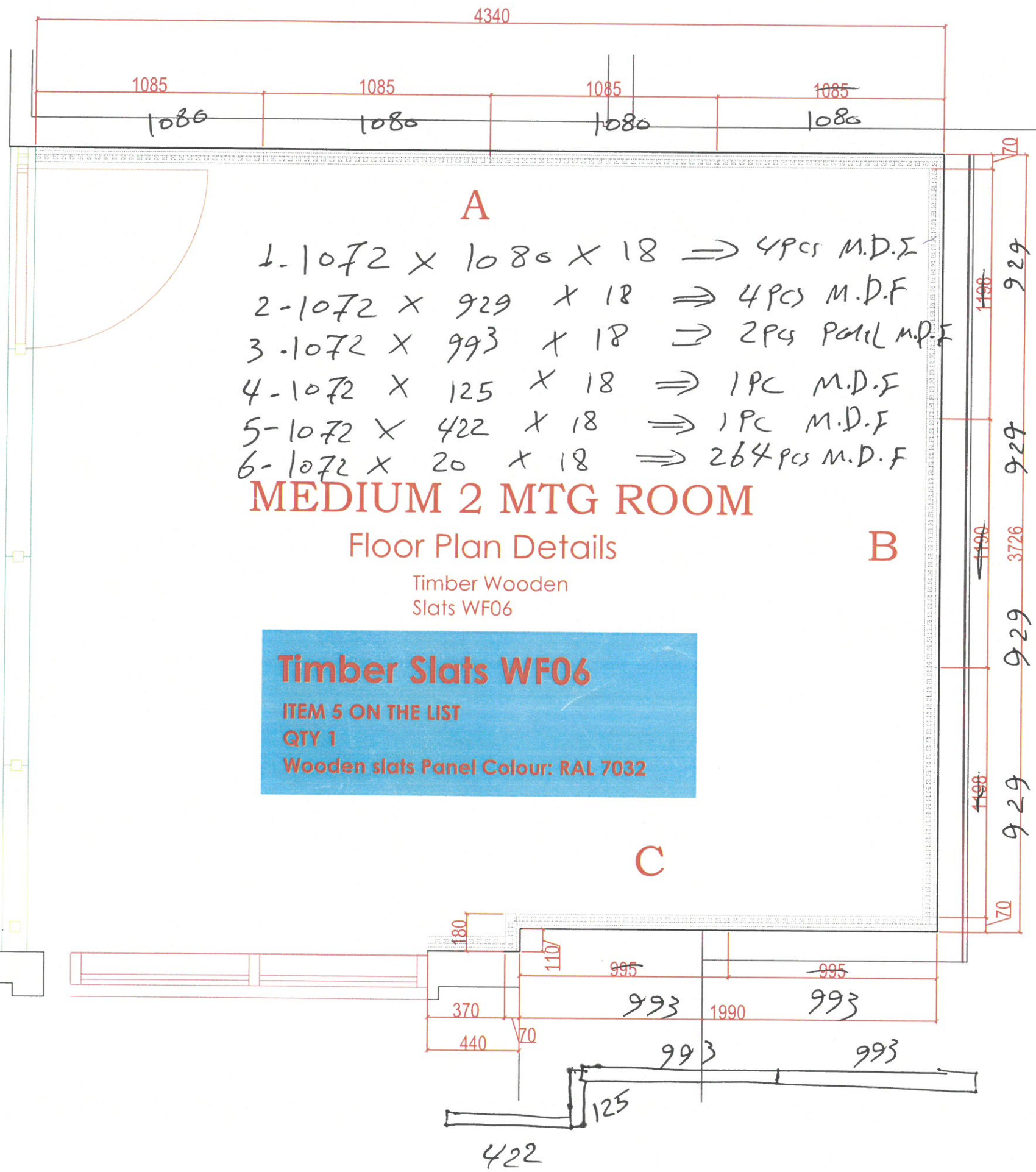


FOR APPROVAL

Project No. : ---
Scale : N/A
Drawn by : OBJ
Checked : OBJ
Cad File : CAD_FILE


Sheet title
MEDIUM 2 MTG ROOM Timber Slats WF06
Floor Plan.

Dwg No. : --- No. : ---
WS-DS-SD-TP-021 SHEET 1



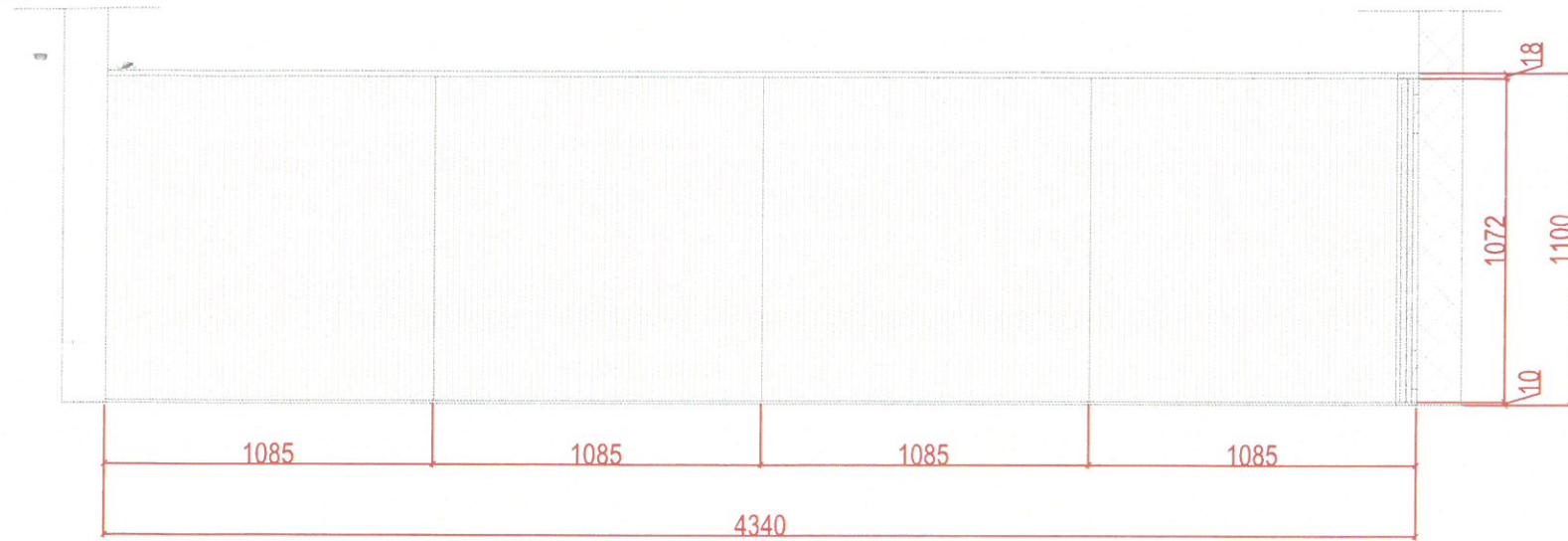
FINISHES

Colour:
Range: Panel Colour:
RAL 7032



Timber Slats WF06
 ITEM 5 ON THE LIST
 QTY 1
 Wooden slats Panel Colour: RAL 7032

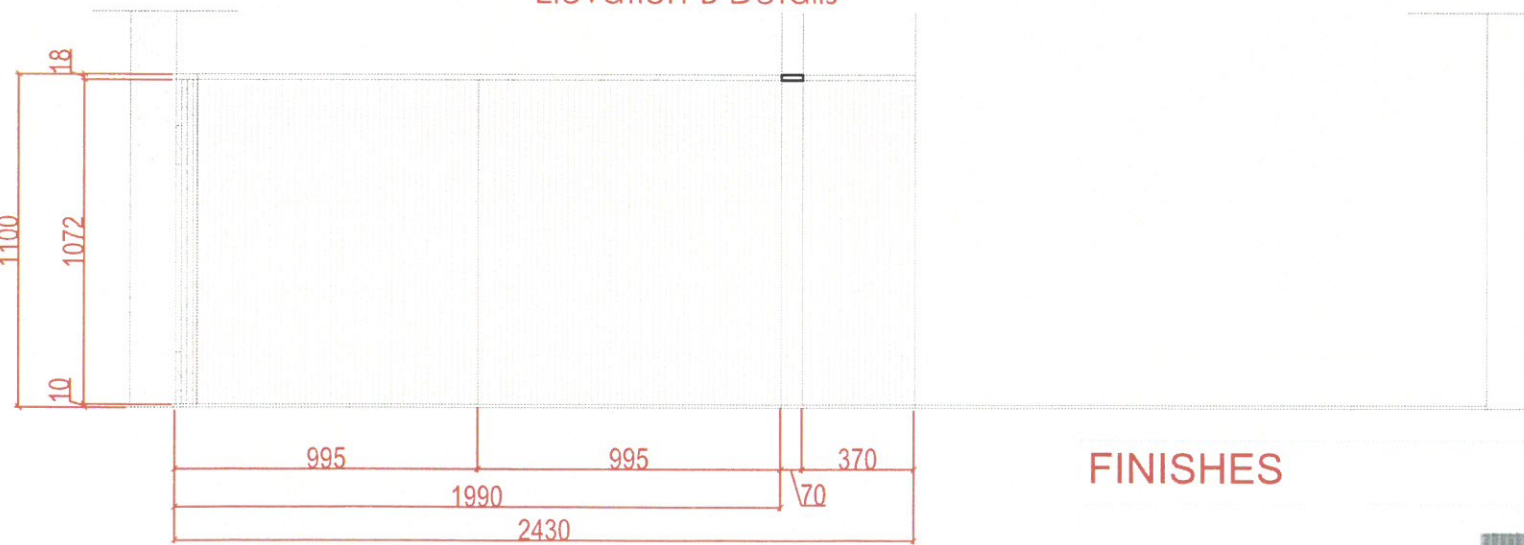
4320



Elevation-A Details



Elevation-B Details



Elevation-C Details

FINISHES

Colour:
Range: Panel Colour:
RAL 7032



Timber Slats WF06

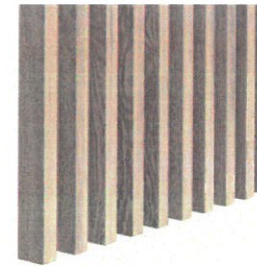
ITEM 5 ON THE LIST

QTY 1

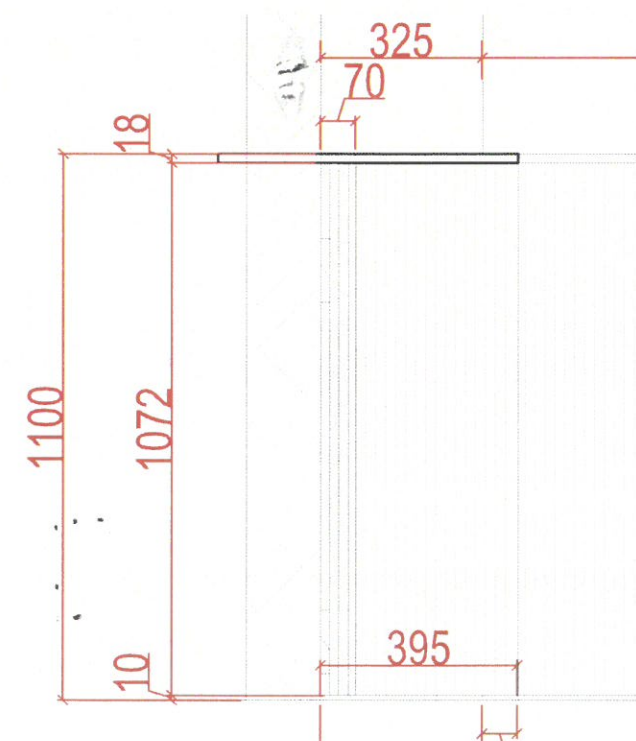
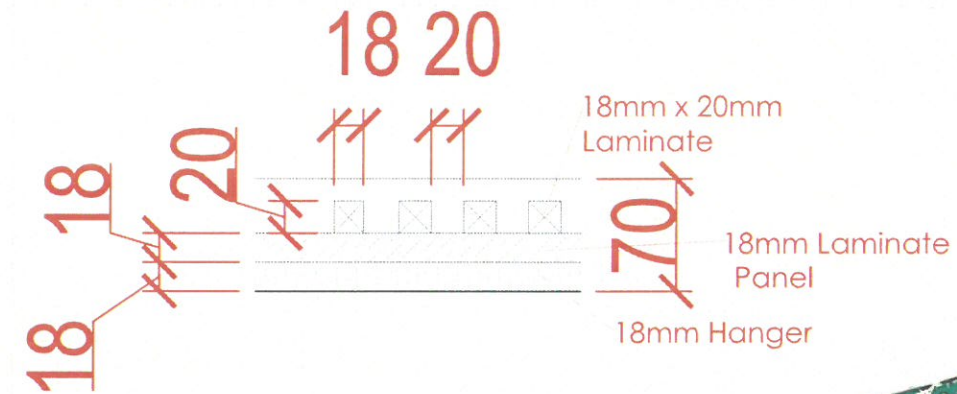
Wooden slats Panel Colour: RAL 7032

MEDIUM 2 MTG ROOM

Timber Wooden
Slats WF06



Ref. Image



www.wood-styles.com

Copyright of designs shown herein is retained by this office. Authority is required for any reproduction. © Copyright Wood-styles Ltd.

Nigeria, Lagos +234 80 9037 9888

Email: info@wood-styles.com

Project

Citi contracting

TetraPak Project

Owner

Date	Description
DSD-V1-ID-2/10/2024	- REV1
DSD-V1-ID-9/11/2024	- REV2
DSD-V1-ID-5/12/2024	- REV3
DSD-V1-ID-16/1/2025	- REV4

FOR APPROVAL

Project No. : ---
Scale : N/A
Drawn by : OBJ
Checked : OBJ
Cad File : CAD_FILE

Sheet title
MEDIUM 2 MTG ROOM Timber Slats WF06
Elev. and Section

Dwg No. : --- No. : ---
WS-DS-SD-TP-021 SHEET 2